



# Cambridge IGCSE™

---

## CO-ORDINATED SCIENCES

Paper 1 Multiple Choice (Core)

0654/11

May/June 2020

45 minutes

You must answer on the multiple choice answer sheet.

You will need: Multiple choice answer sheet  
Soft clean eraser  
Soft pencil (type B or HB is recommended)

---

### INSTRUCTIONS

- There are **forty** questions on this paper. Answer **all** questions.
- For each question there are four possible answers **A, B, C** and **D**. Choose the **one** you consider correct and record your choice in soft pencil on the multiple choice answer sheet.
- Follow the instructions on the multiple choice answer sheet.
- Write in soft pencil.
- Write your name, centre number and candidate number on the multiple choice answer sheet in the spaces provided unless this has been done for you.
- Do **not** use correction fluid.
- Do **not** write on any bar codes.
- You may use a calculator.

### INFORMATION

- The total mark for this paper is 40.
- Each correct answer will score one mark. A mark will not be deducted for a wrong answer.
- Any rough working should be done on this question paper.
- The Periodic Table is printed in the question paper.

---

This document has **16** pages. Blank pages are indicated.



- 1 Which characteristic of living organisms is described as the chemical reactions in cells that break down nutrient molecules and release energy?
- A excretion
  - B nutrition
  - C photosynthesis
  - D respiration

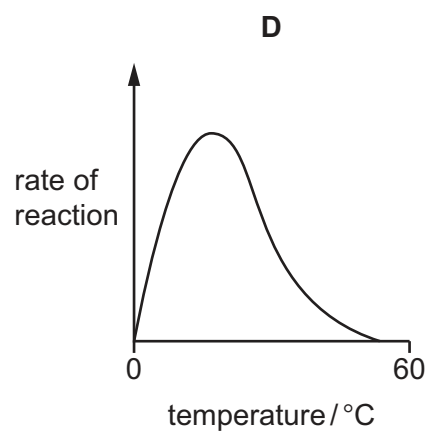
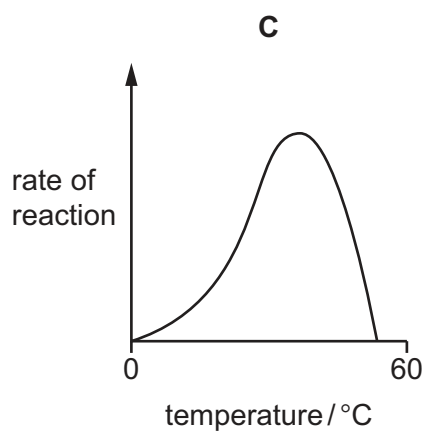
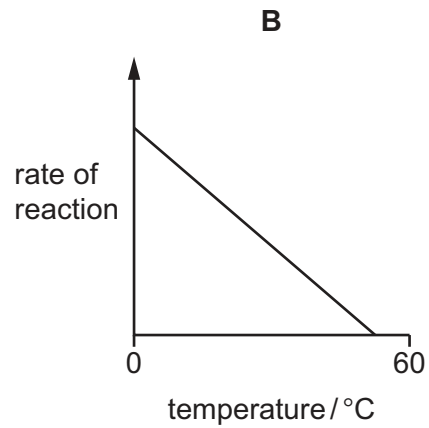
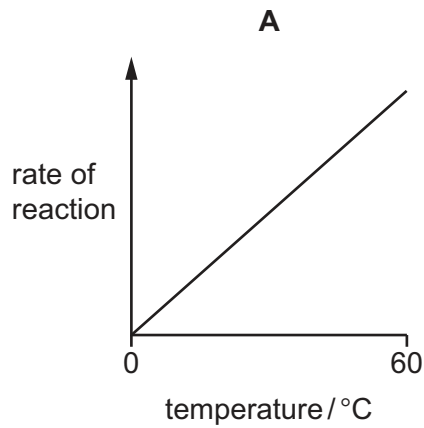
- 2 What is the net movement of molecules during diffusion?
- A from a higher concentration to a lower concentration down a concentration gradient
  - B from a higher concentration to a lower concentration up a concentration gradient
  - C from a lower concentration to a higher concentration down a concentration gradient
  - D from a lower concentration to a higher concentration up a concentration gradient

- 3 A food contains reducing sugar, but no starch.

What colours will be obtained if samples of the food are tested with Benedict's solution and with iodine solution?

	Benedict's test	iodine test
<b>A</b>	blue	blue-black
<b>B</b>	blue	brown
<b>C</b>	red-orange	blue-black
<b>D</b>	red-orange	brown

4 Which graph shows the effect of temperature on the activity of a mammalian enzyme?



5 A farmer observes that his field of grass is not looking as green as it should be.

Which substance is likely to be in short supply?

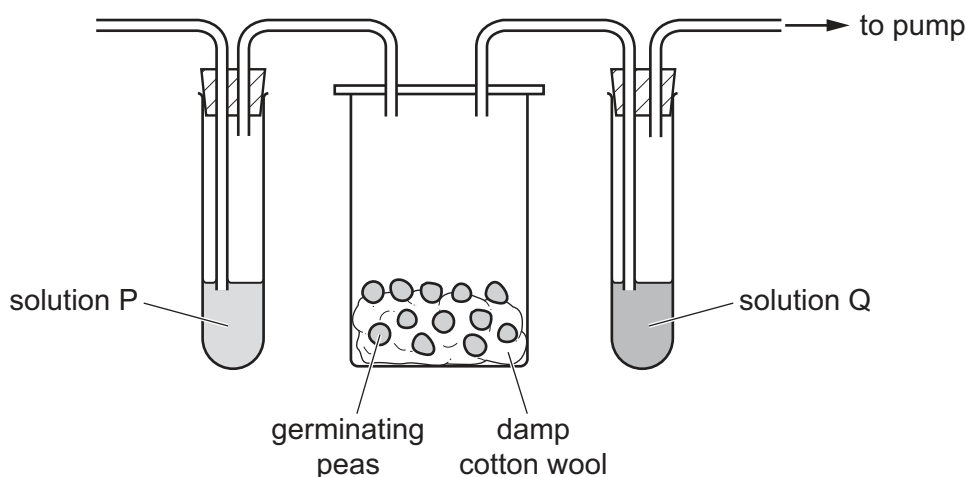
- A** carbon dioxide in the air
- B** magnesium in the soil
- C** nitrogen in the air
- D** water in the soil

6 Why is calcium needed in the diet?

- A** to make carbohydrates
- B** to make teeth
- C** to make enzymes
- D** to make protein

- 7 What is transported by red blood cells?
- A glucose
  - B insulin
  - C oxygen
  - D urea
- 8 As a molecule of carbon dioxide is removed from the body, in which order does it pass through these structures?
- A pulmonary artery → capillary → alveolus → bronchiole
  - B pulmonary artery → capillary → bronchiole → alveolus
  - C pulmonary vein → capillary → alveolus → bronchiole
  - D pulmonary vein → capillary → bronchiole → alveolus
- 9 What is the definition of homeostasis?
- A controlling body temperature
  - B controlling responses to stimuli
  - C maintaining a constant external environment
  - D maintaining a constant internal environment

- 10 An experiment using germinating seeds is set up as shown, and left at room temperature for 12 hours.



The pump is then switched on and air is drawn through the apparatus for 2 minutes.

Which row identifies solutions P and Q and the results obtained?

	solution P	solution P results	solution Q	solution Q results
<b>A</b>	ethanol	remains colourless	ethanol	turns milky
<b>B</b>	ethanol	turns milky	limewater	remains colourless
<b>C</b>	limewater	remains colourless	limewater	turns milky
<b>D</b>	limewater	turns milky	ethanol	remains colourless

- 11 In some plants the red flower allele is dominant to the yellow flower allele. Two heterozygous red flowered plants are crossed.

Which statement about the offspring produced is correct?

- A** 25% of plants will have red flowers, 75% will have yellow flowers.
- B** 50% of plants will have red flowers, 50% will have yellow flowers.
- C** 75% of plants will have red flowers, 25% will have yellow flowers.
- D** 100% of plants will have red flowers.

12 The flow chart shows part of a food chain.

grass → rabbit → fox

What describes the rabbit?

- A consumer and carnivore
- B consumer and herbivore
- C producer and carnivore
- D producer and herbivore

13 What could deforestation cause?

- A a decrease in carbon dioxide levels and a decrease in flooding
- B a decrease in carbon dioxide levels and an increase in flooding
- C an increase in carbon dioxide levels and a decrease in flooding
- D an increase in carbon dioxide levels and an increase in flooding

14 Which statement about atoms and molecules is correct?

- A All molecules are gases at room temperature and pressure.
- B An atom is the smallest part of an element.
- C Atoms of the same element all have the same mass.
- D Molecules always contain atoms of more than one element.

15 One atom of an isotope of fluorine is represented by  ${}^{15}_9\text{F}$ .

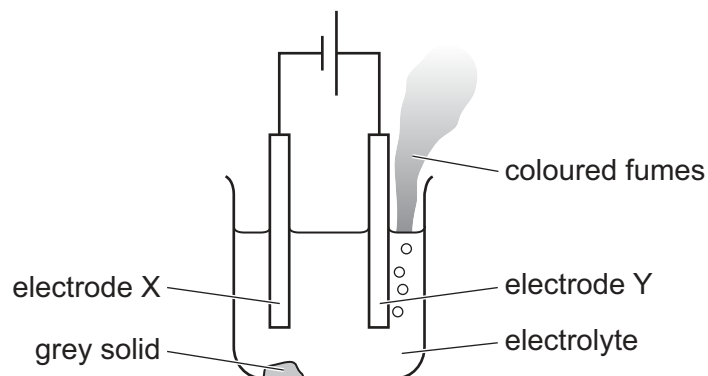
How many neutrons does this atom have?

- A 6                      B 9                      C 10                      D 15

16 Which row describes the volatility and electrical conductivity of liquid covalent compounds?

	volatility	electrical conductivity
A	high	high
B	high	low
C	low	high
D	low	low

17 The diagram shows the electrolysis of lead(II) bromide using inert electrodes.



Which statement about this experiment is correct?

- A Electrode X is positively charged.
- B The coloured fumes are produced at the negative electrode.
- C The electrolyte is lead(II) bromide.
- D The grey solid is lead(II) bromide.

18 A student investigates temperature changes in four chemical reactions, as shown.

reaction	initial temperature /°C	final temperature /°C
1	22	16
2	22	27
3	20	28
4	20	18

Which reactions are endothermic?

- A 1 and 3
- B 1 and 4
- C 2 and 3
- D 2 and 4

19 Which reaction involves both oxidation and reduction?

- A calcium carbonate  $\rightarrow$  calcium oxide + carbon dioxide
- B copper oxide + carbon  $\rightarrow$  copper + carbon dioxide
- C silver nitrate + potassium chloride  $\rightarrow$  silver chloride + potassium nitrate
- D sulfuric acid + sodium hydroxide  $\rightarrow$  sodium sulfate + water

- 20 Copper sulfate is made by adding an excess of copper carbonate to dilute sulfuric acid and stirring.

The excess solid is removed. Most of the water is then removed. The solution is left for solid copper sulfate to form.

In which order is apparatus used?

- A Bunsen burner, tripod and flask → filter funnel → crystallising dish
- B Bunsen burner, tripod and flask → crystallising dish → filter funnel
- C filter funnel → crystallising dish → Bunsen burner, tripod and flask
- D filter funnel → Bunsen burner, tripod and flask → crystallising dish

- 21 Which gas turns damp red litmus paper blue?

- A ammonia
- B carbon dioxide
- C chlorine
- D hydrogen

- 22 What is a property of transition elements?

- A They form coloured compounds.
- B They form diatomic molecules.
- C They have low densities.
- D They have low melting points.

- 23 Which statement is **not** a reason why aluminium is used in aircraft manufacture?

- A It forms low density alloys.
- B It is malleable.
- C It is more reactive than iron.
- D It is resistant to corrosion.

- 24 Why do farmers treat their fields with fertilisers?

- A to decrease the acidity of the soil
- B to increase the oxygen content of the soil
- C to increase the water content of the soil
- D to increase the yield of crops



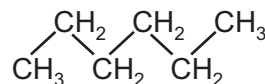
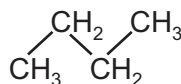
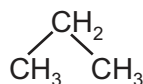
25 Limestone is converted to lime in process 1.

Limestone is used to treat industrial waste in process 2.

What are processes 1 and 2?

	process 1	process 2
<b>A</b>	decomposition	dissolving
<b>B</b>	decomposition	neutralisation
<b>C</b>	oxidation	dissolving
<b>D</b>	oxidation	neutralisation

26 The structures of three organic compounds are shown.



Which statement about these three compounds is correct?

- A** They are alcohols.
- B** They are alkenes.
- C** They are saturated.
- D** They do not burn.

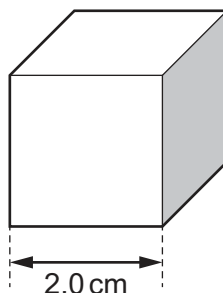
27 Which statement about the manufacture of polymers is correct?

- A** Polymers are made by breaking long-chain molecules into shorter chain ones.
- B** Polymers are made by joining polymers together.
- C** Polymers are made by fractional distillation of petroleum.
- D** Polymers are made by joining short-chain molecules together.

28 Which is a unit of energy?

- A** J
- B** kg
- C** N
- D** W

- 29 A solid cube of metal of side 2.0 cm has a mass of 400 g.



What is the density of the metal?

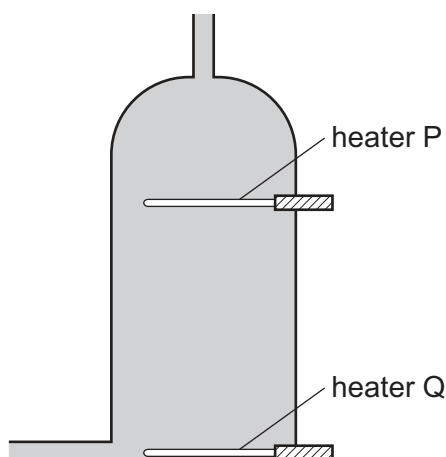
- A** 0.020 g/cm<sup>3</sup>    **B** 50 g/cm<sup>3</sup>    **C** 100 g/cm<sup>3</sup>    **D** 200 g/cm<sup>3</sup>
- 30 Two children X and Y pull on a rope in opposite directions.  
The diagram shows the size of each force and its direction.



What is the resultant force on the rope?

- A** 50 N towards X  
**B** 50 N towards Y  
**C** 950 N towards X  
**D** 950 N towards Y
- 31 Which statement describes the production of electricity from a renewable energy source?
- A** Coal is burnt to release energy to make steam that turns a generator.  
**B** Moving air passes over blades that rotate and turn a generator.  
**C** Nuclear fission releases energy to make steam that turns a generator.  
**D** Oil is burnt to release energy to make steam that turns a generator.
- 32 A liquid-in-glass thermometer contains mercury.  
The thermometer is moved from cold water into hot water.  
What happens to the mercury?
- A** It contracts.  
**B** It expands.  
**C** It freezes.  
**D** It melts.

- 33 A hot water tank is fitted with two identical heaters P and Q. Heater P is fitted above heater Q as shown. The tank is full of cold water.

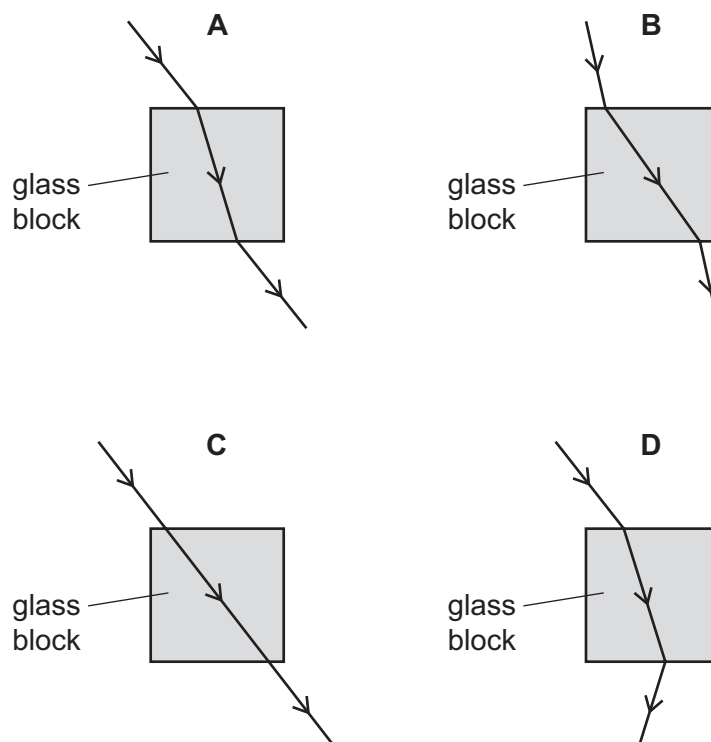


When only heater Q is switched on, it takes a long time to heat the tank of water to  $60^{\circ}\text{C}$ .

What happens to the cold water when only heater P is switched on?

- A All the water reaches  $60^{\circ}\text{C}$  in less time.
  - B All the water reaches  $60^{\circ}\text{C}$  in the same time.
  - C The water below heater P reaches  $60^{\circ}\text{C}$  in less time.
  - D The water above heater P reaches  $60^{\circ}\text{C}$  in less time.
- 34 Light passes from air through a solid glass block.

Which diagram shows the path of the light?

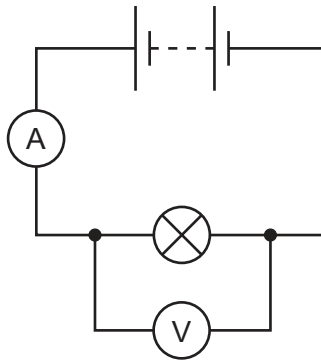


35 A person stands 80 m from a high wall and claps his hands. He hears an echo 0.50 s later.

Using this information, how is the speed of sound in air calculated?

- A  $\frac{(0.50 \times 2)}{80}$  m/s
- B  $\frac{0.50}{(80 \times 2)}$  m/s
- C  $\frac{(80 \times 2)}{0.50}$  m/s
- D  $\frac{80}{0.50}$  m/s

36 The circuit shown is used when determining the resistance of a lamp.

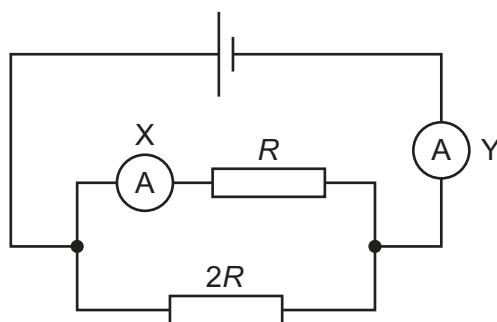


The ammeter reading is 2.0 A and the voltmeter reading is 6.0 V.

What is the resistance of the lamp?

- A 0.33  $\Omega$       B 3.0  $\Omega$       C 8.0  $\Omega$       D 12  $\Omega$

- 37 The diagram shows a circuit containing two resistors of resistance  $R$  and  $2R$ , and two ammeters X and Y.



Which ammeter shows the largest reading, and what is the combined resistance of the two resistors?

	ammeter with largest reading	combined resistance
<b>A</b>	X	less than $R$
<b>B</b>	X	more than $2R$
<b>C</b>	Y	less than $R$
<b>D</b>	Y	more than $2R$

- 38 A fuse is a safety device for use in an electrical circuit.

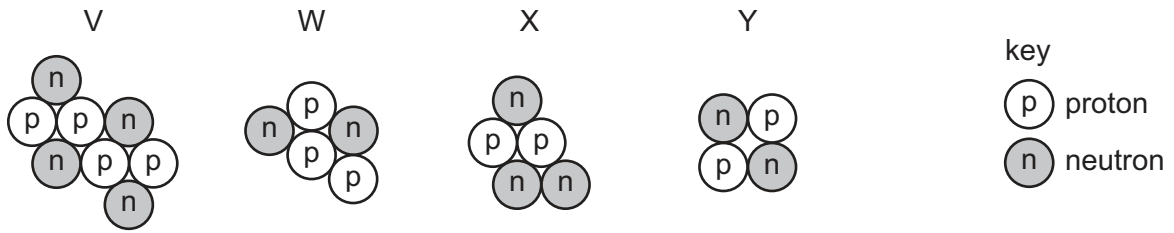
The current in the circuit becomes greater than the rated value for the fuse.

What happens?

- A** The current decreases to zero.
- B** The current decreases to the rated value for the fuse.
- C** The thickness of the insulation around the wires increases.
- D** The current is sent to the outer case of the appliance.
- 39 Which pair of changes **must** make the coil of an electric motor rotate more quickly?

	number of turns on the coil	current in the coil
<b>A</b>	decreases	decreases
<b>B</b>	decreases	increases
<b>C</b>	increases	decreases
<b>D</b>	increases	increases

40 The diagrams represent the nuclei of four different atoms V, W, X and Y.



Which two diagrams represent isotopes of the same element?

- A** V and Y            **B** W and X            **C** X and Y            **D** Y and W

**BLANK PAGE**

---

Permission to reproduce items where third-party owned material protected by copyright is included has been sought and cleared where possible. Every reasonable effort has been made by the publisher (UCLES) to trace copyright holders, but if any items requiring clearance have unwittingly been included, the publisher will be pleased to make amends at the earliest possible opportunity.

To avoid the issue of disclosure of answer-related information to candidates, all copyright acknowledgements are reproduced online in the Cambridge Assessment International Education Copyright Acknowledgements Booklet. This is produced for each series of examinations and is freely available to download at [www.cambridgeinternational.org](http://www.cambridgeinternational.org) after the live examination series.

Cambridge Assessment International Education is part of the Cambridge Assessment Group. Cambridge Assessment is the brand name of the University of Cambridge Local Examinations Syndicate (UCLES), which itself is a department of the University of Cambridge.

The Periodic Table of Elements

		Group															
I	II	III	IV	V	VI	VII	VIII										
3 <b>Li</b> lithium 7	4 <b>Be</b> beryllium 9	<div style="border: 1px solid black; padding: 5px; text-align: center;"> <b>Key</b>                      atomic number                      atomic symbol                      name                      relative atomic mass                 </div>										2 <b>He</b> helium 4					
11 <b>Na</b> sodium 23	12 <b>Mg</b> magnesium 24											5 <b>B</b> boron 11	6 <b>C</b> carbon 12	7 <b>N</b> nitrogen 14	8 <b>O</b> oxygen 16	9 <b>F</b> fluorine 19	10 <b>Ne</b> neon 20
19 <b>K</b> potassium 39	20 <b>Ca</b> calcium 40	21 <b>Sc</b> scandium 45	22 <b>Ti</b> titanium 48	23 <b>V</b> vanadium 51	24 <b>Cr</b> chromium 52	25 <b>Mn</b> manganese 55	26 <b>Fe</b> iron 56	27 <b>Co</b> cobalt 59	28 <b>Ni</b> nickel 59	29 <b>Cu</b> copper 64	30 <b>Zn</b> zinc 65	31 <b>Ga</b> gallium 70	32 <b>Ge</b> germanium 73	33 <b>As</b> arsenic 75	34 <b>Se</b> selenium 79	35 <b>Br</b> bromine 80	36 <b>Kr</b> krypton 84
37 <b>Rb</b> rubidium 85	38 <b>Sr</b> strontium 88	39 <b>Y</b> yttrium 89	40 <b>Zr</b> zirconium 91	41 <b>Nb</b> niobium 93	42 <b>Mo</b> molybdenum 96	43 <b>Tc</b> technetium —	44 <b>Ru</b> ruthenium 101	45 <b>Rh</b> rhodium 103	46 <b>Pd</b> palladium 106	47 <b>Ag</b> silver 108	48 <b>Cd</b> cadmium 112	49 <b>In</b> indium 115	50 <b>Sn</b> tin 119	51 <b>Sb</b> antimony 122	52 <b>Te</b> tellurium 128	53 <b>I</b> iodine 127	54 <b>Xe</b> xenon 131
55 <b>Cs</b> caesium 133	56 <b>Ba</b> barium 137	57–71 lanthanoids	72 <b>Hf</b> hafnium 178	73 <b>Ta</b> tantalum 181	74 <b>W</b> tungsten 184	75 <b>Re</b> rhenium 186	76 <b>Os</b> osmium 190	77 <b>Ir</b> iridium 192	78 <b>Pt</b> platinum 195	79 <b>Au</b> gold 197	80 <b>Hg</b> mercury 201	81 <b>Tl</b> thallium 204	82 <b>Pb</b> lead 207	83 <b>Bi</b> bismuth 209	84 <b>Po</b> polonium —	85 <b>At</b> astatine —	86 <b>Rn</b> radon —
87 <b>Fr</b> francium —	88 <b>Ra</b> radium —	89–103 actinoids	104 <b>Rf</b> rutherfordium —	105 <b>Db</b> dubnium —	106 <b>Sg</b> seaborgium —	107 <b>Bh</b> bohrium —	108 <b>Hs</b> hassium —	109 <b>Mt</b> meitnerium —	110 <b>Ds</b> darmstadtium —	111 <b>Rg</b> roentgenium —	112 <b>Cn</b> copernicium —	114 <b>Fl</b> flerovium —	116 <b>Lv</b> livermorium —	—	—	—	—

lanthanoids	57 <b>La</b> lanthanum 139	58 <b>Ce</b> cerium 140	59 <b>Pr</b> praseodymium 141	60 <b>Nd</b> neodymium 144	61 <b>Pm</b> promethium —	62 <b>Sm</b> samarium 150	63 <b>Eu</b> europium 152	64 <b>Gd</b> gadolinium 157	65 <b>Tb</b> terbium 159	66 <b>Dy</b> dysprosium 163	67 <b>Ho</b> holmium 165	68 <b>Er</b> erbium 167	69 <b>Tm</b> thulium 169	70 <b>Yb</b> ytterbium 173	71 <b>Lu</b> lutetium 175
actinoids	89 <b>Ac</b> actinium —	90 <b>Th</b> thorium 232	91 <b>Pa</b> protactinium 231	92 <b>U</b> uranium 238	93 <b>Np</b> neptunium —	94 <b>Pu</b> plutonium —	95 <b>Am</b> americium —	96 <b>Cm</b> curium —	97 <b>Bk</b> berkelium —	98 <b>Cf</b> californium —	99 <b>Es</b> einsteinium —	100 <b>Fm</b> fermium —	101 <b>Md</b> mendelevium —	102 <b>No</b> nobelium —	103 <b>Lr</b> lawrencium —

The volume of one mole of any gas is 24 dm<sup>3</sup> at room temperature and pressure (r.t.p.).